

Albion Architectural Concrete

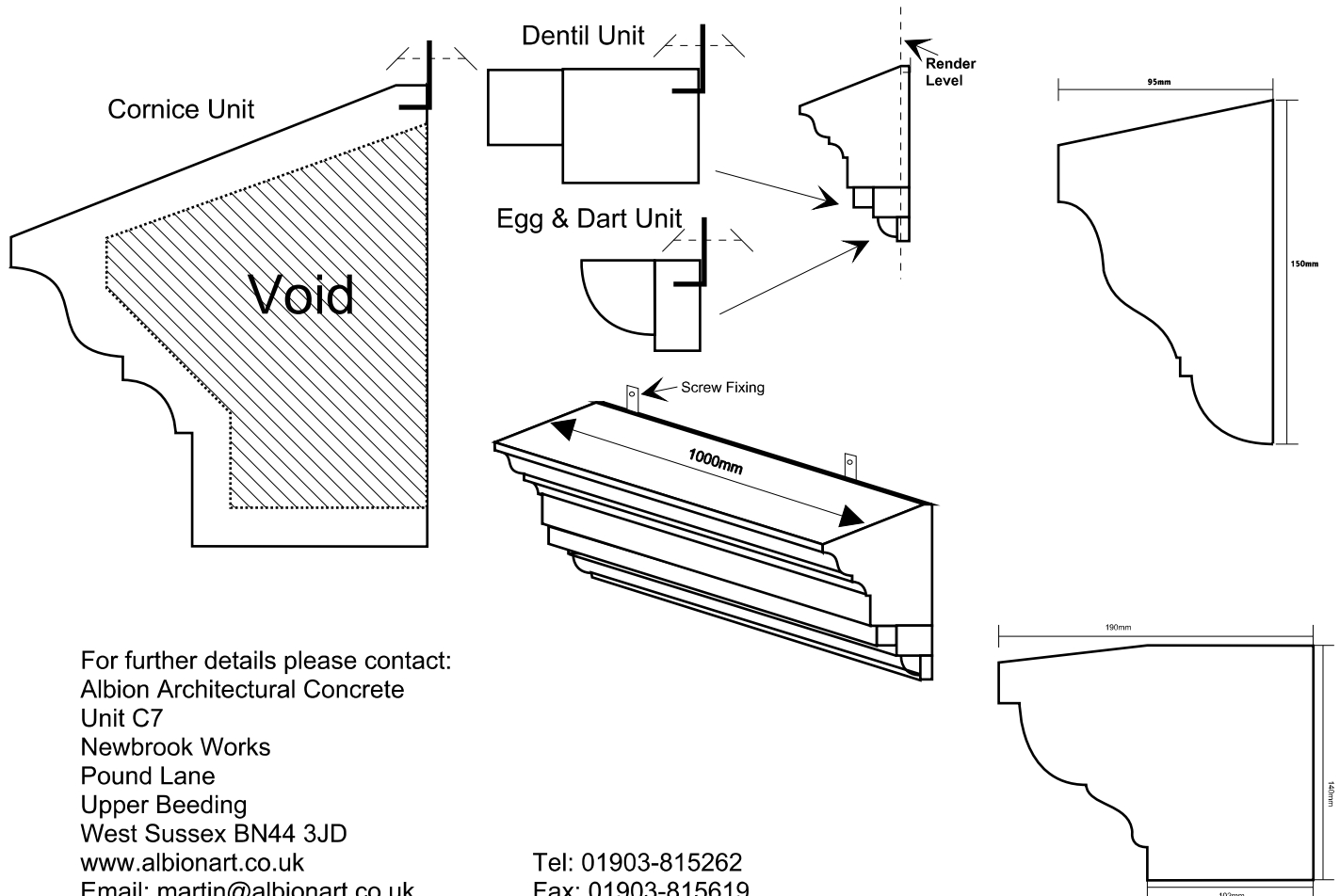
MAKING THE BUILT ENVIRONMENT BETTER

Following requests from several builders Albion Architectural Concrete developed a range of band courses and cornices designed to enhance existing buildings (or retro-fitted to new-build) to enhance the external appearance without disturbing or cutting into existing brickwork. These units are made from extremely strong glass-reinforced concrete, enabling them to be made in lightweight hollow section - an important health & safety consideration when handling on site and installing.

These items are now available in a number of stock sizes but, as always, we can work closely with builders and architects to produce bespoke units for any application. They can be further enhanced with dentil and egg & dart courses where required.



Of course we also still continue to manufacture the conventional 'build-in' units suited to new-build where brickwork is to be left exposed. Below are a selection of available profiles.



For further details please contact:
Albion Architectural Concrete
Unit C7
Newbrook Works
Pound Lane
Upper Beeding
West Sussex BN44 3JD
www.albionart.co.uk
Email: martin@albionart.co.uk

Tel: 01903-815262
Fax: 01903-815619