

Albion Architectural Concrete

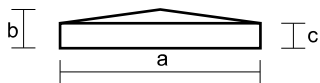
MAKING THE BUILT ENVIRONMENT BETTER

Albion Factsheet 001 - PierCaps & Finials

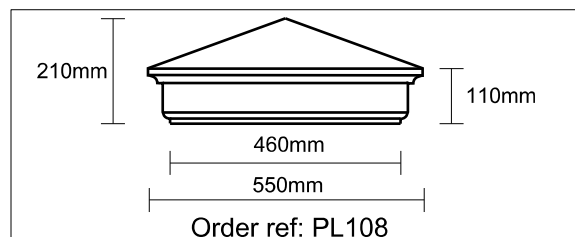
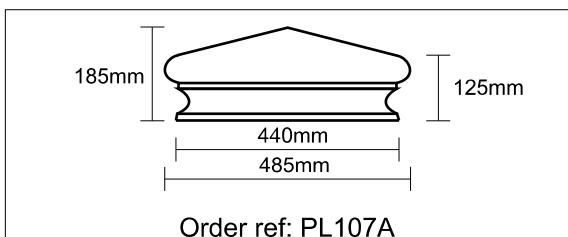
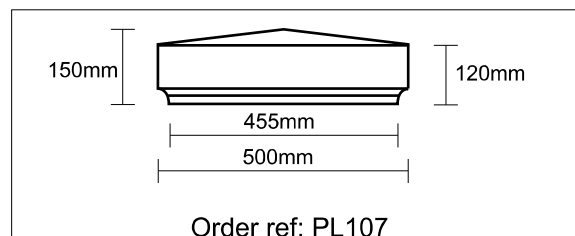
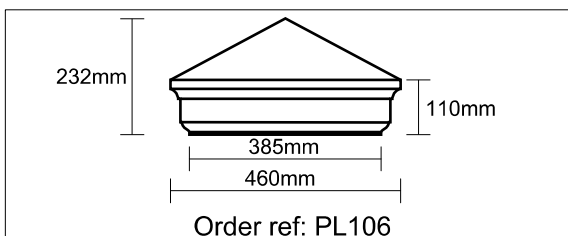
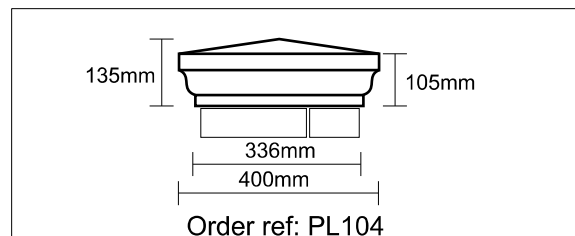
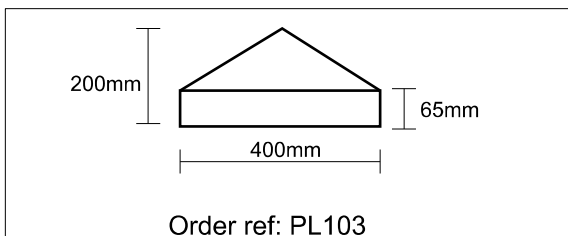


Albion Architectural Concrete manufactures a wide range of pier caps and finials. Whatever your design calls for, Albion can fulfill any pier cap or finial need. We also offer a full bespoke service. Call 01903-815262 or fax your drawings to 01903-815619 for details. Alternatively visit albionart.co.uk for more information.

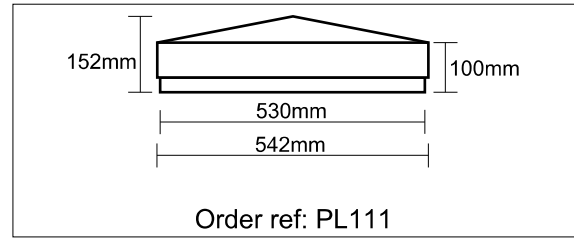
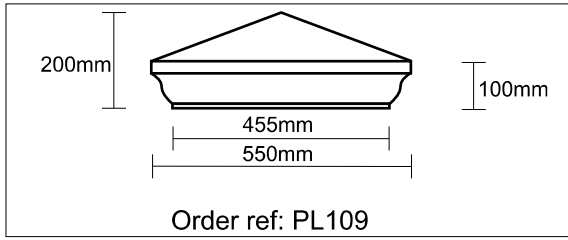
Pier Caps



Standard Pier Caps						
a	300x300	330x330	400x400	500x500	550x550	550x550
b	80	70	80	80	100	175
c	40	50	50	50	50	75



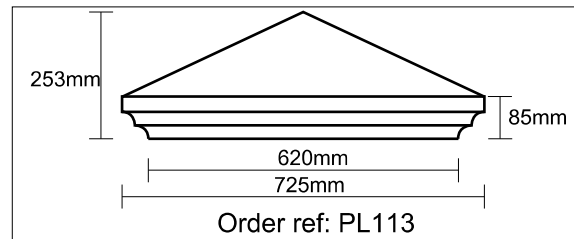
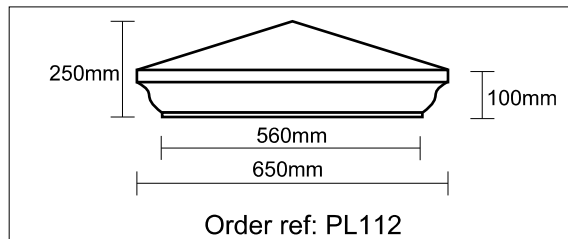
Pier Caps & Finials - Continued



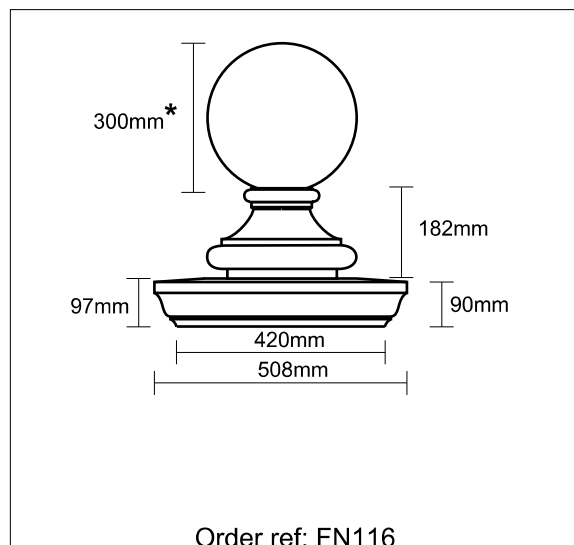
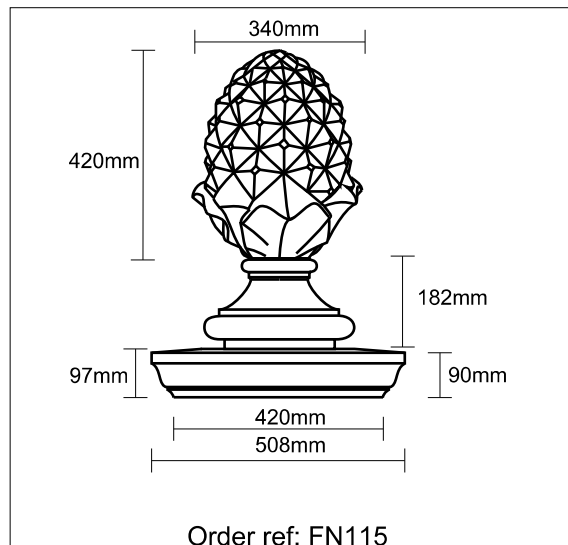
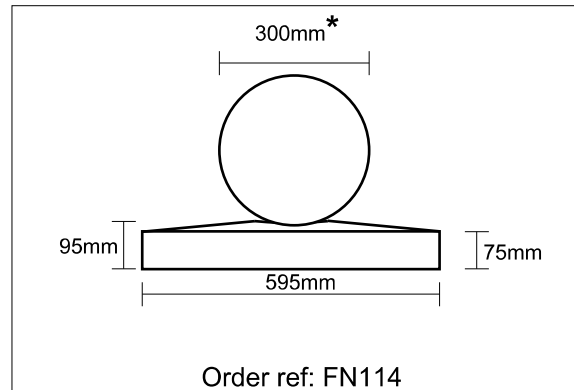
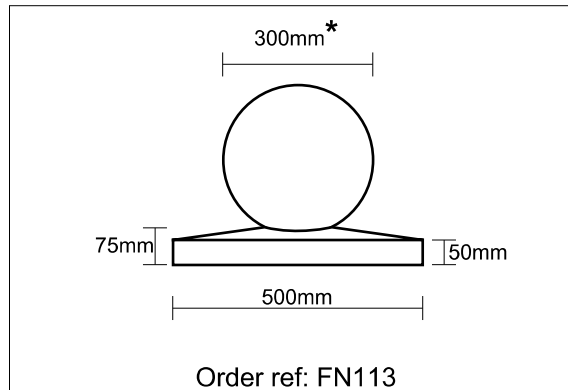
Order ref: PL110

PL110 Variations:

	a	b	c	d
PL110	485mm	570mm	90mm	225mm
PL110a	550mm	670mm	100mm	200mm
PL110b	510mm	590mm	90mm	230mm
PL110c	760mm	840mm	90mm	290mm
PL110d	385mm	475mm	100mm	190mm



Finials



***NB Ball also available in 230mm and 400mm diameters.
Most pier caps can be adapted to accept ball finials. Finials available separately.
Bespoke sizes also available - call 01903-815262 for more details.**